



mono•mounts®

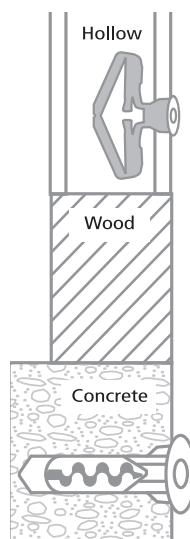
best for single panel installations

Installing A Parts on a wall

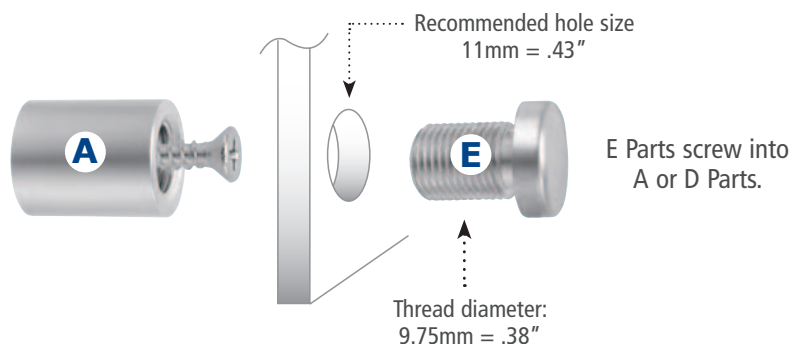
- Use your panel as the template to position panels on walls and align the hole centres.
- Ensure that the fixings you use to secure A Parts are suited to the type of wall they are being attached to e.g. when securing to wood use 8 gauge counter sunk head wood screws. When securing to plaster board, concrete, block etc. obtain wall anchors specifically designed for use with the wall material from your hardware store or specialist supplier.
- Ensure that your A Parts are secured strongly enough to hold the entire loading on the A+E Parts as well as the extra•spacers, D Parts - if they are used.

STANDARD PARTS

Are **A** + **E** Parts which are sold as a set



The internal back wall of A Parts is designed to accommodate the head of an 8 or 9 gauge countersunk screw or bolt.



E Parts screw into A or D Parts.

Optional extra D Parts are sold separately and screw between A + E Parts. D Parts are used to hold more panels and/or increase the standoff distance. [\(click to view\)](#)