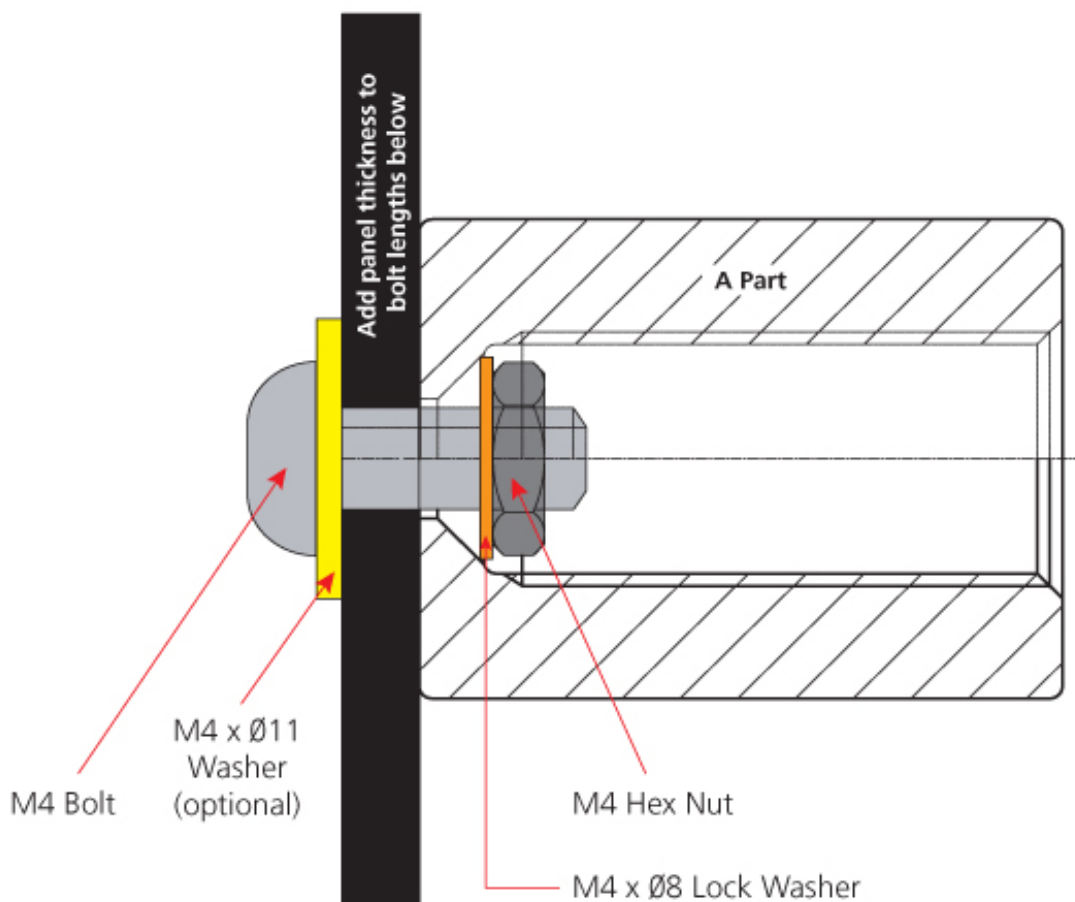


mono·mounts®

www.pizazzsystems.com

Installing an A Part on a panel



Bolt Dimensions			Recommended Fastening System			
Button Head Bolt Thread Diameter	Thread Length	Overall Length				
M4	7mm	10mm				
.156"	.281"	.375"				
Add panel thickness to bolt lengths above			M4 Bolt	M4 x Ø11 Washer	M4 x Ø8 Lock Washer	M4 Hex Nut

The intellectual property in this drawing is the property of Pizazz International Limited 40 William Pickering Drive, Auckland, New Zealand. Copyright © Pizazz International Limited 2011. Unauthorised use prohibited.