



# multi•mounts®

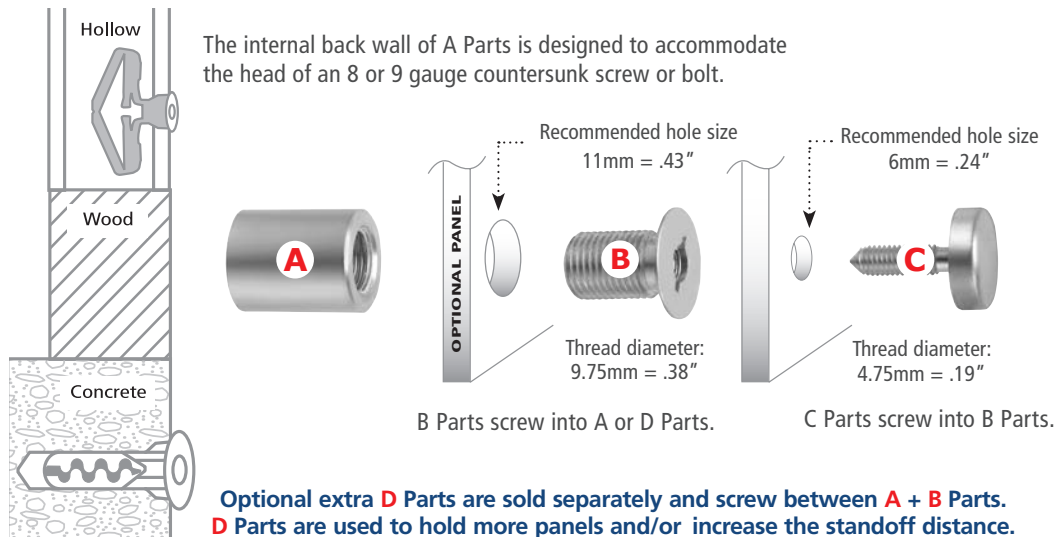
best for changeable graphic displays

## Installing A Parts on a wall

- Use your front panel as the template to position panels on walls and align the hole centres.
- Ensure that the fixings you use to secure A Parts are suited to the type of wall they are being attached to e.g. when securing to wood use 8 gauge counter sunk head wood screws. When securing to plaster board, concrete, block etc. obtain wall anchors specifically designed for use with the wall material from your hardware store or specialist supplier.
- Ensure that your A Parts are secured strongly enough to hold the entire loading on the A+B+C Parts as well as the extra•spacers, D Parts - if they are used.

### STANDARD PARTS

Are **A** + **B** + **C** Parts which are sold as a set



*(Click to view)*